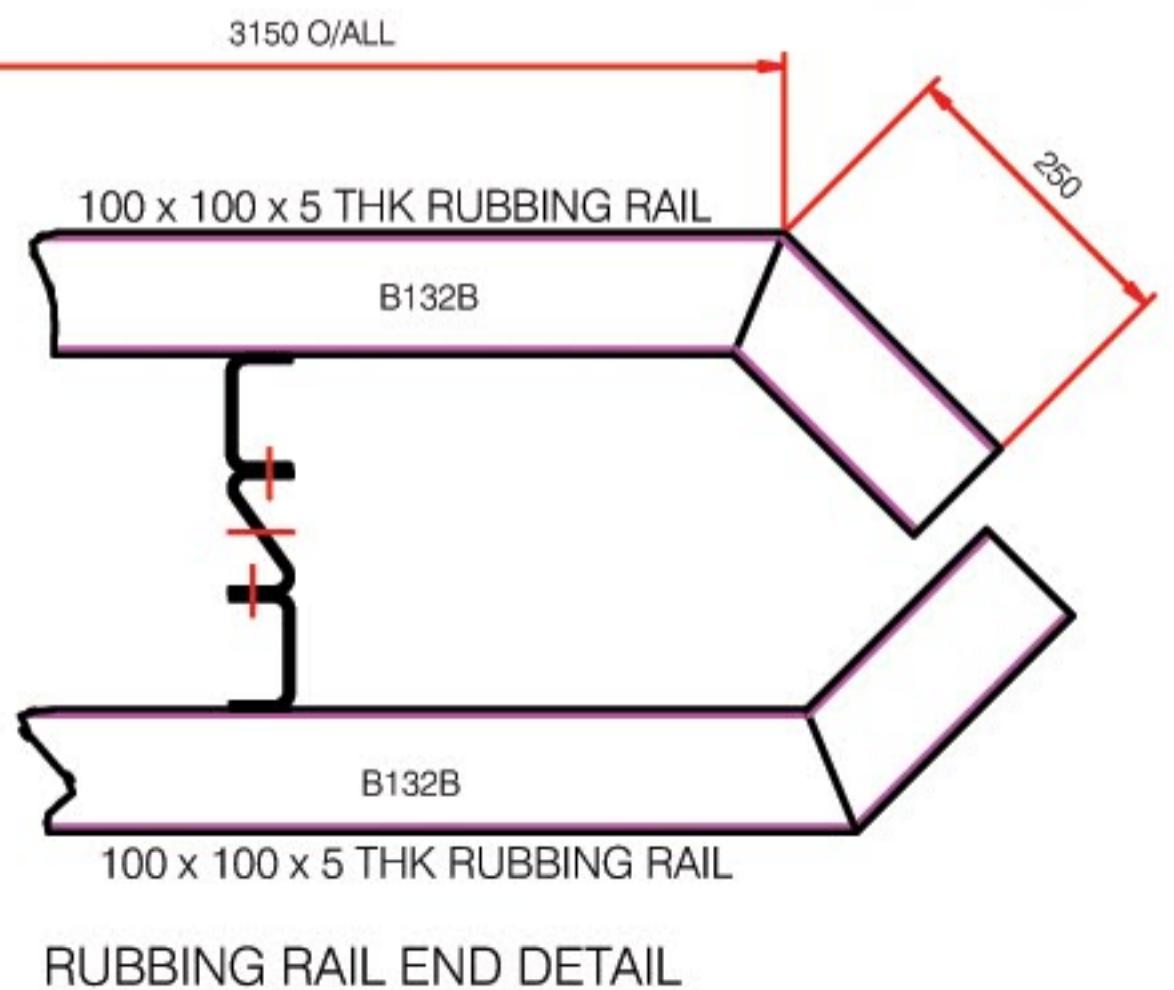
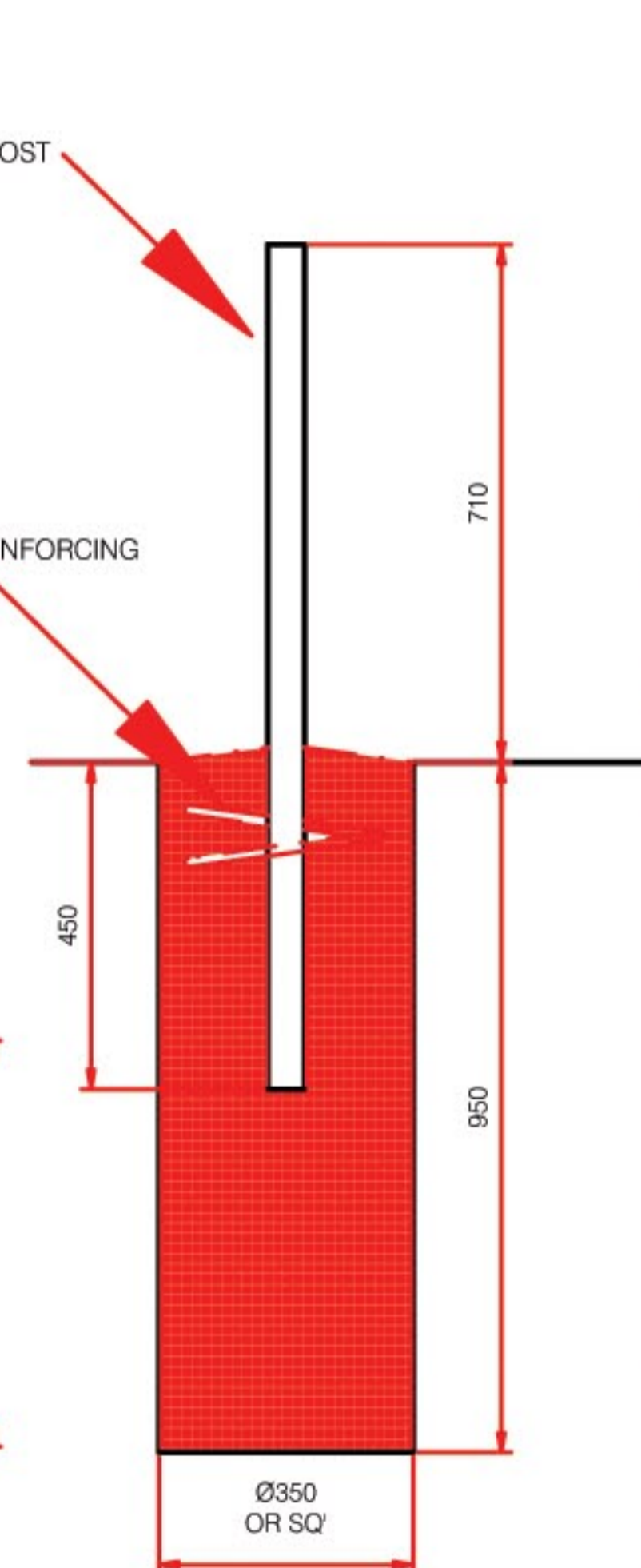
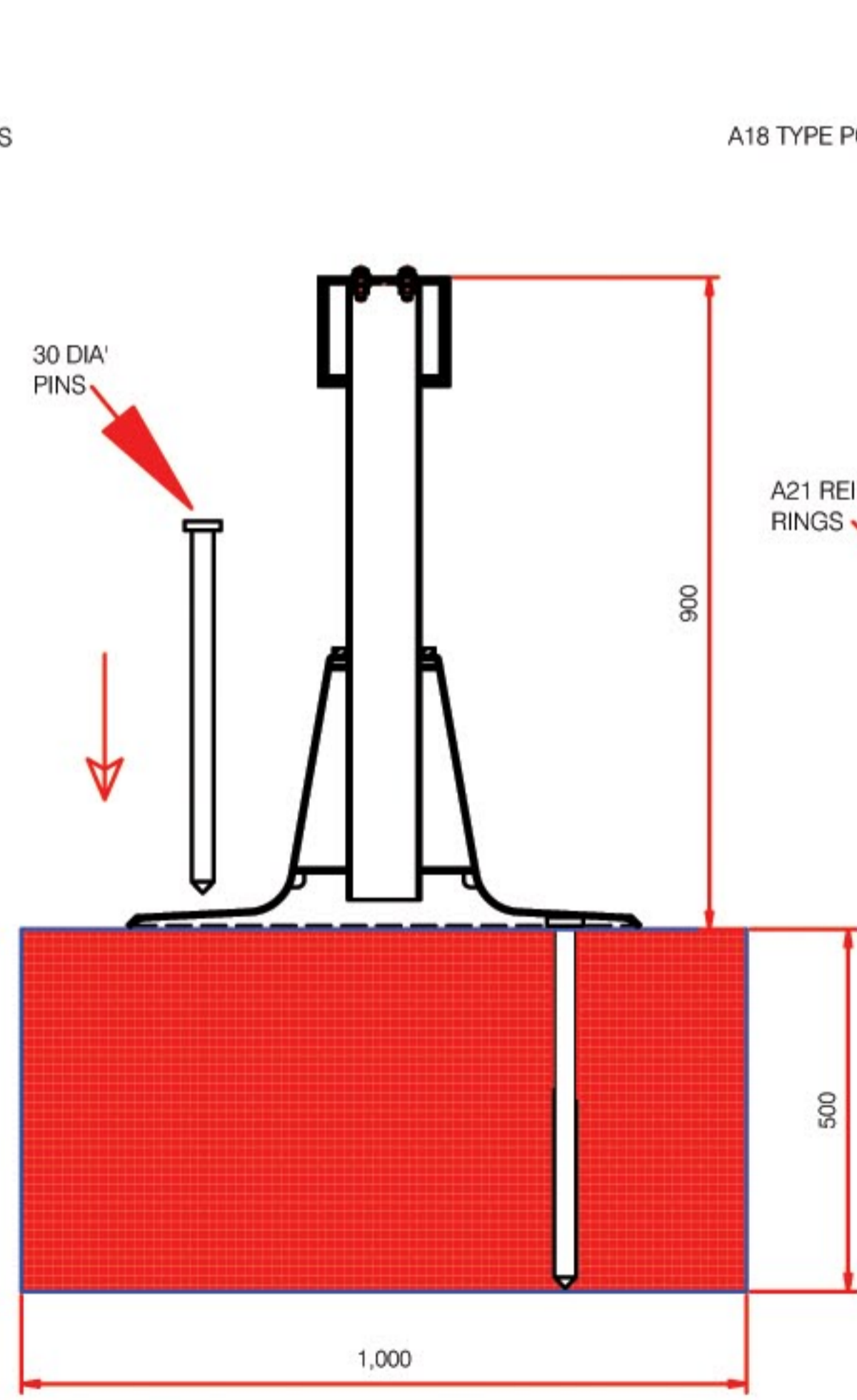
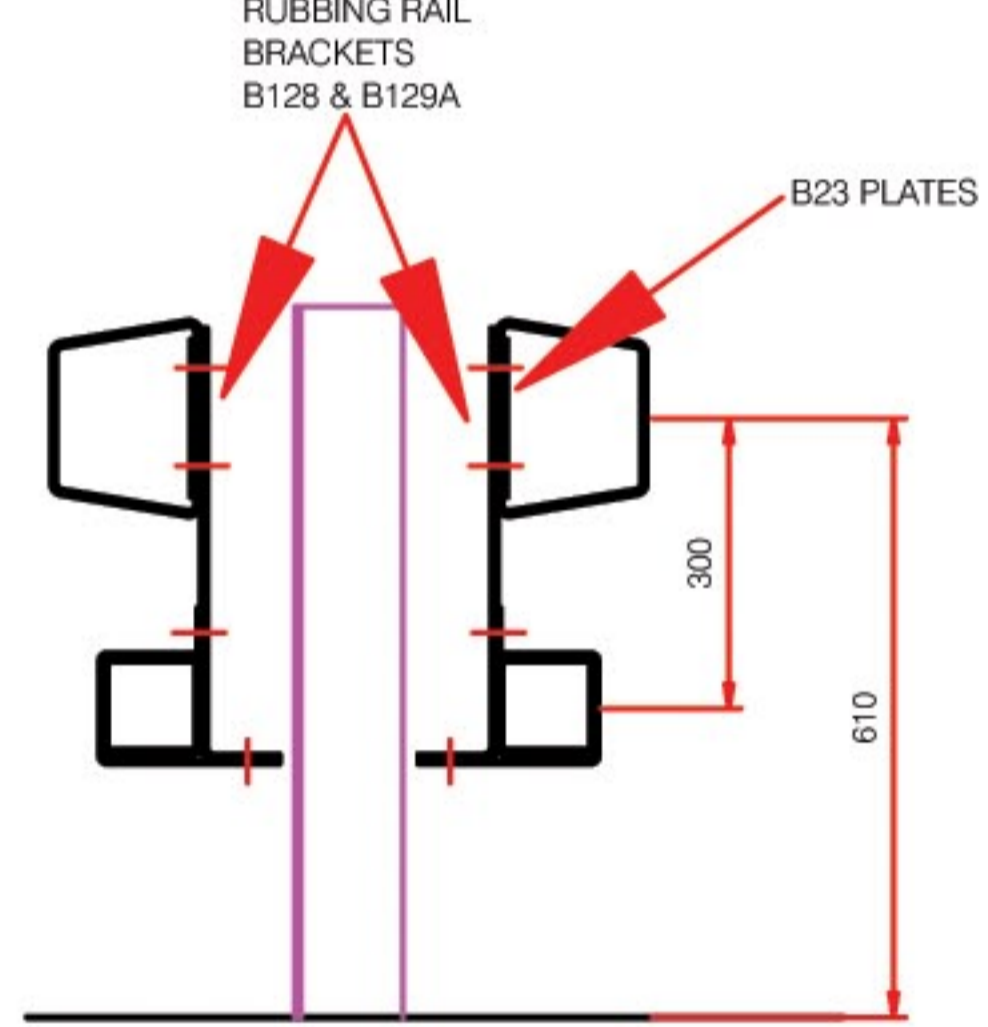
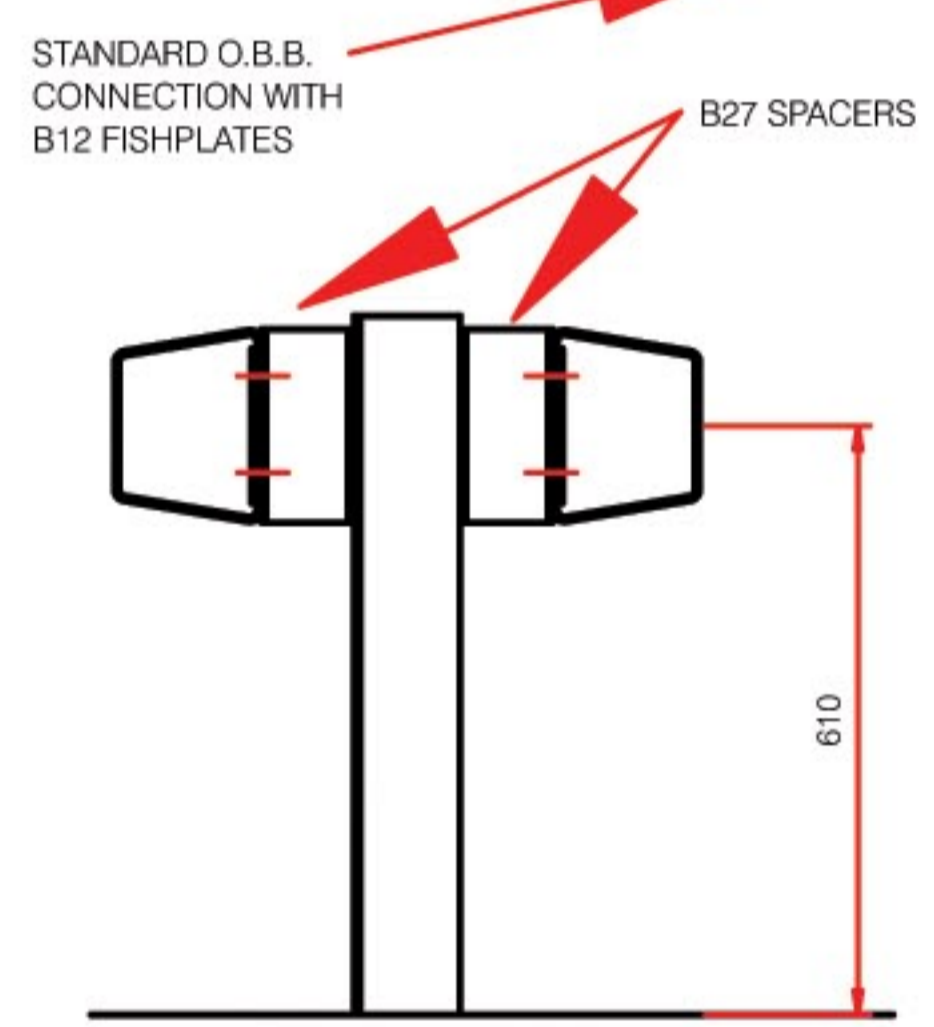
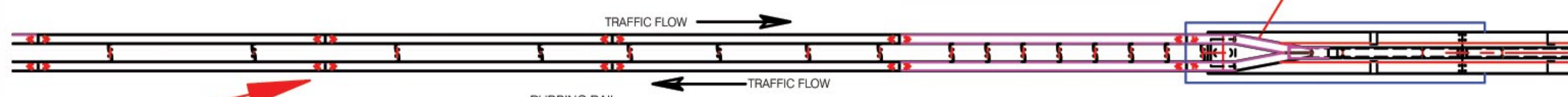
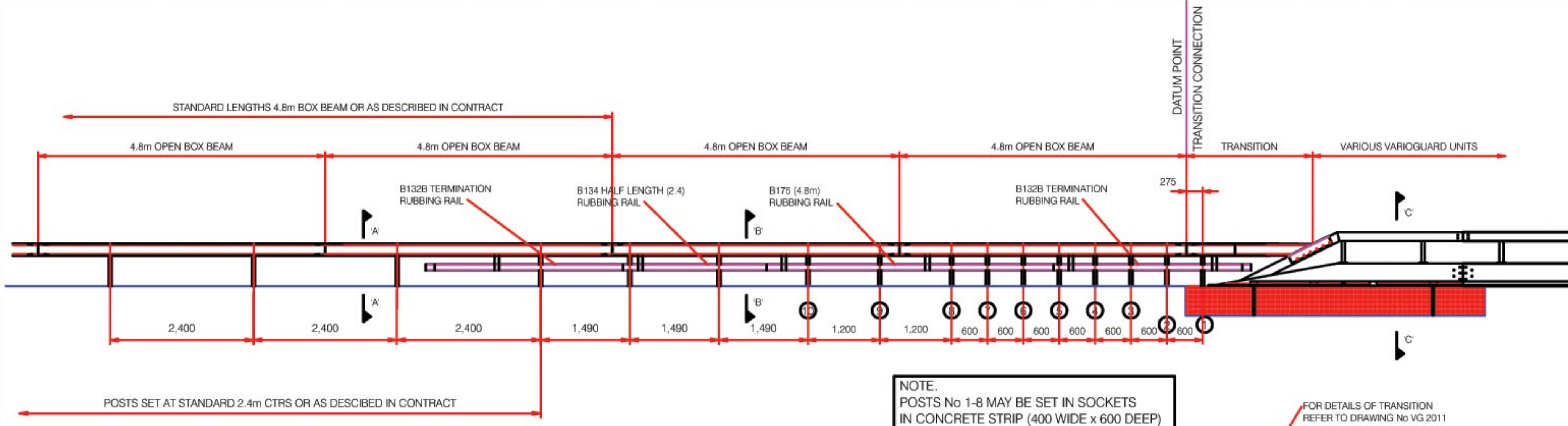


Copyright.  
 This drawing has copyright & may not be copied in whole or in part or used for any other purpose other than that for which it is supplied without express written consent from the company.



B	Reference Detail, Post Positions		02/05
A	Sigma Post Deleted, Foundation Added		11/04
Rev'	Remarks	E.C.O.	Date
Drawn By	ATWright	Date	Sep' 2002
Scale	N.T.S.	Finish	Galv'
		Material	
		Weight	

Description

Layout Details Showing Transition from Double Sided Open Box Beam with Lighting Columns to Varioguard from Double Sided Open Box Beam

**ASSET** INTERNATIONAL  
 Springvale Business & Industrial Park,  
 Bilston, Wolverhampton. WV14 - 0QL.  
 Tel: (01902) 499416 Fax: (01902) 402104  
 E.mail: barrier@hill-smith.co.uk Website: www.hill-smith.co.uk

Drawing No. VG 2505 b