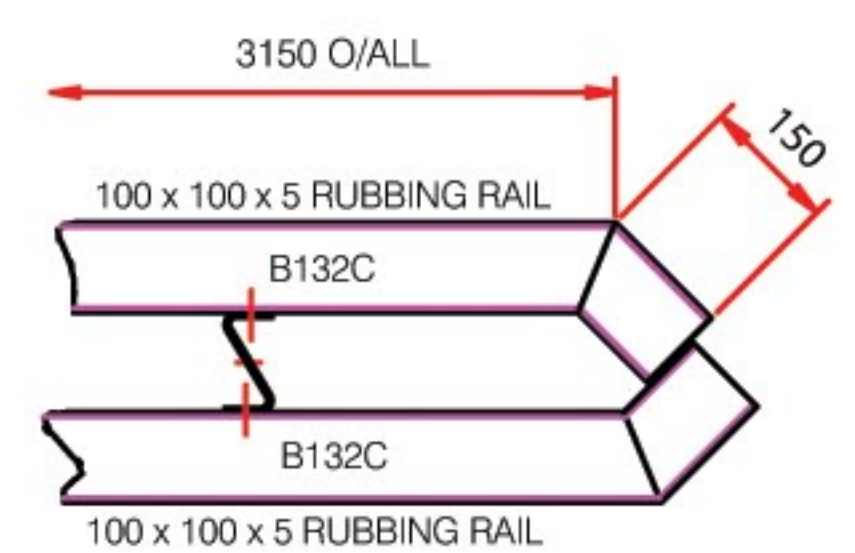
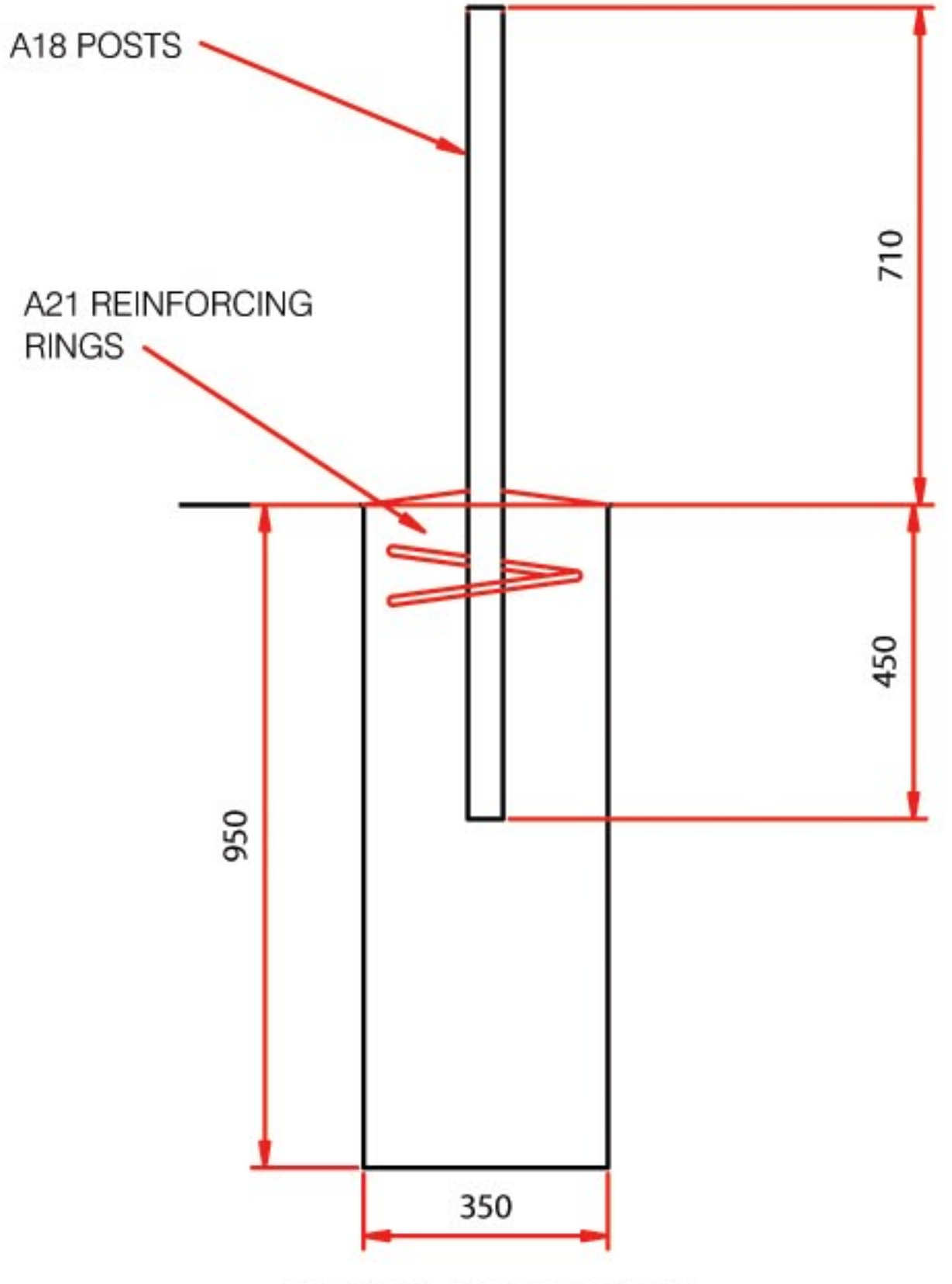
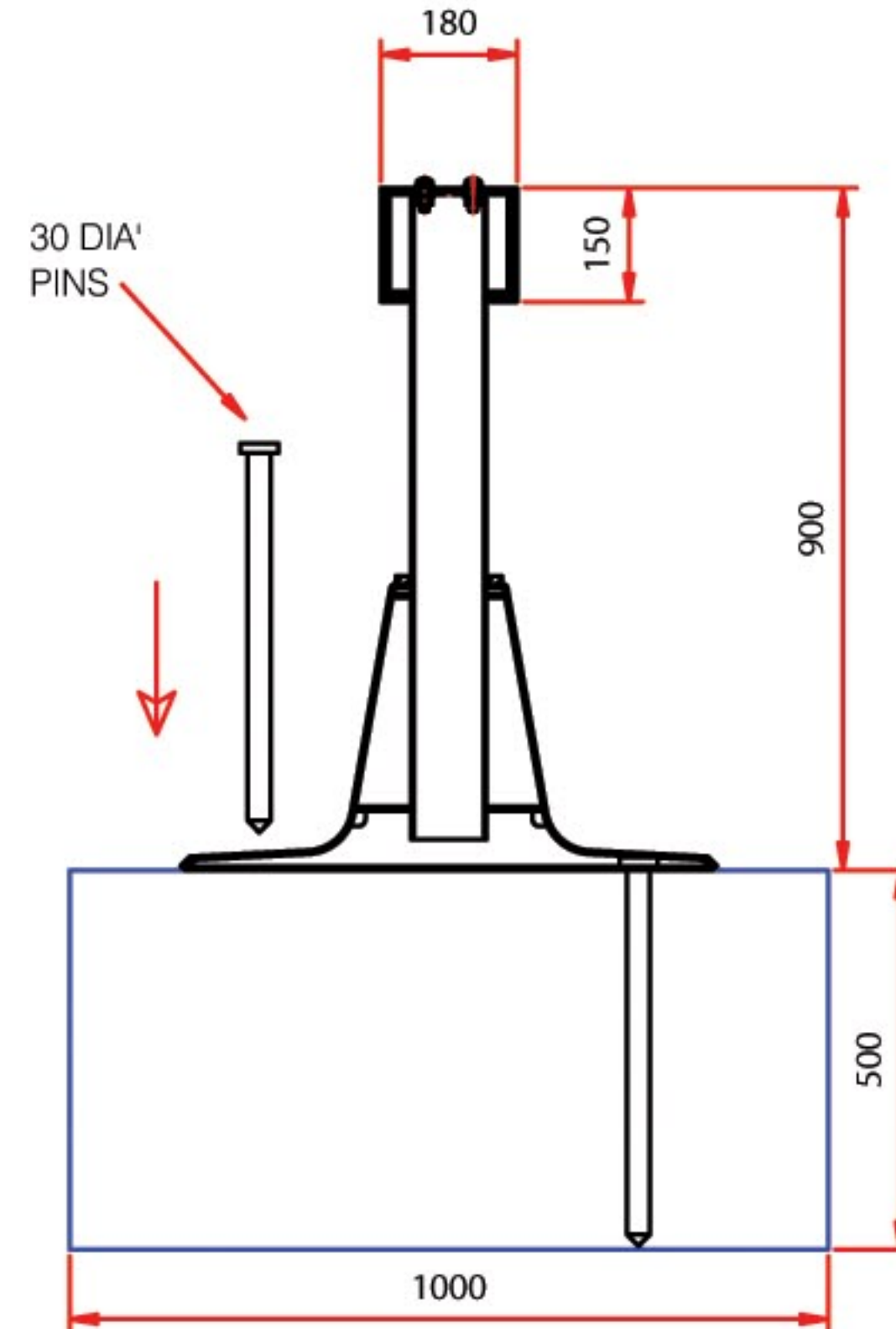
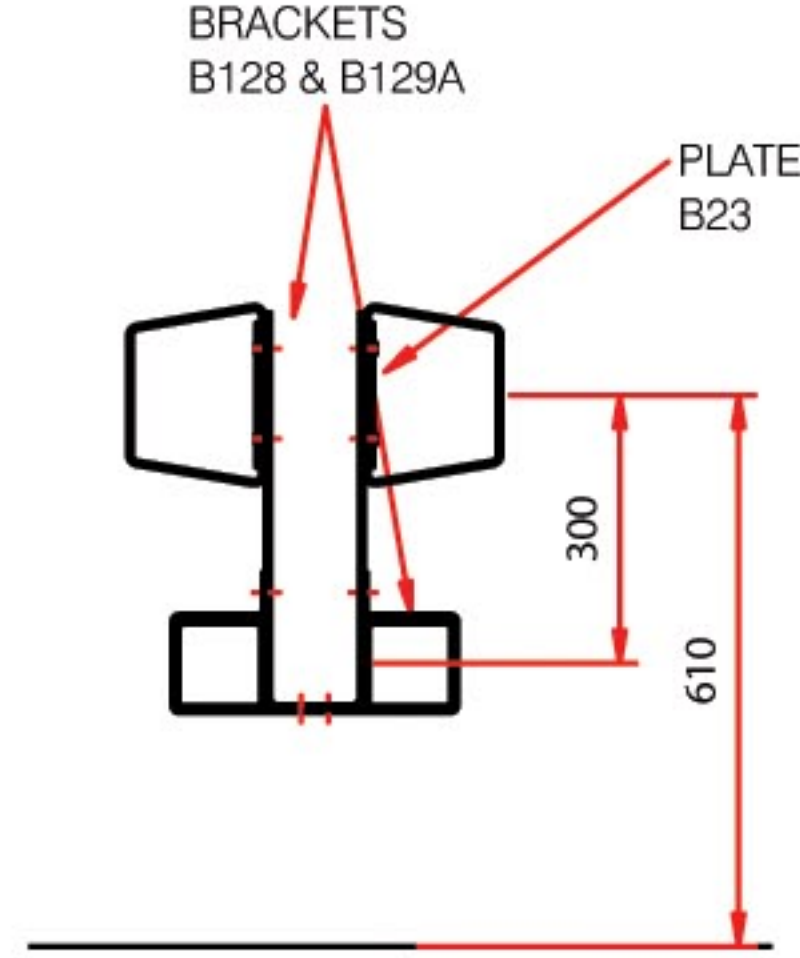
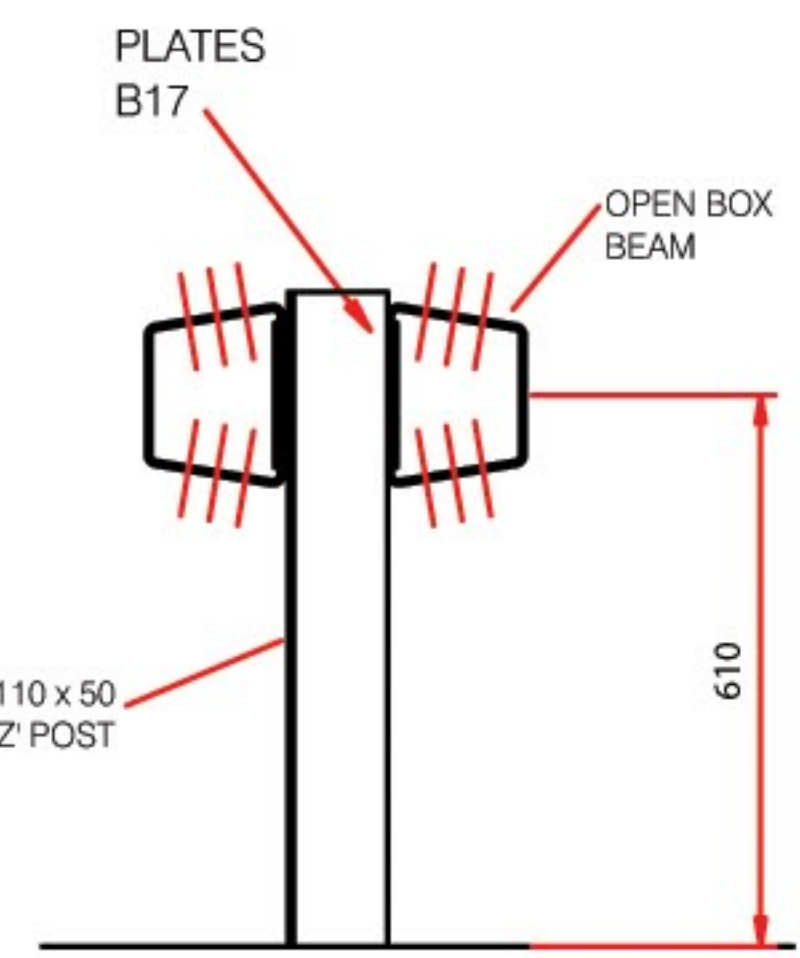
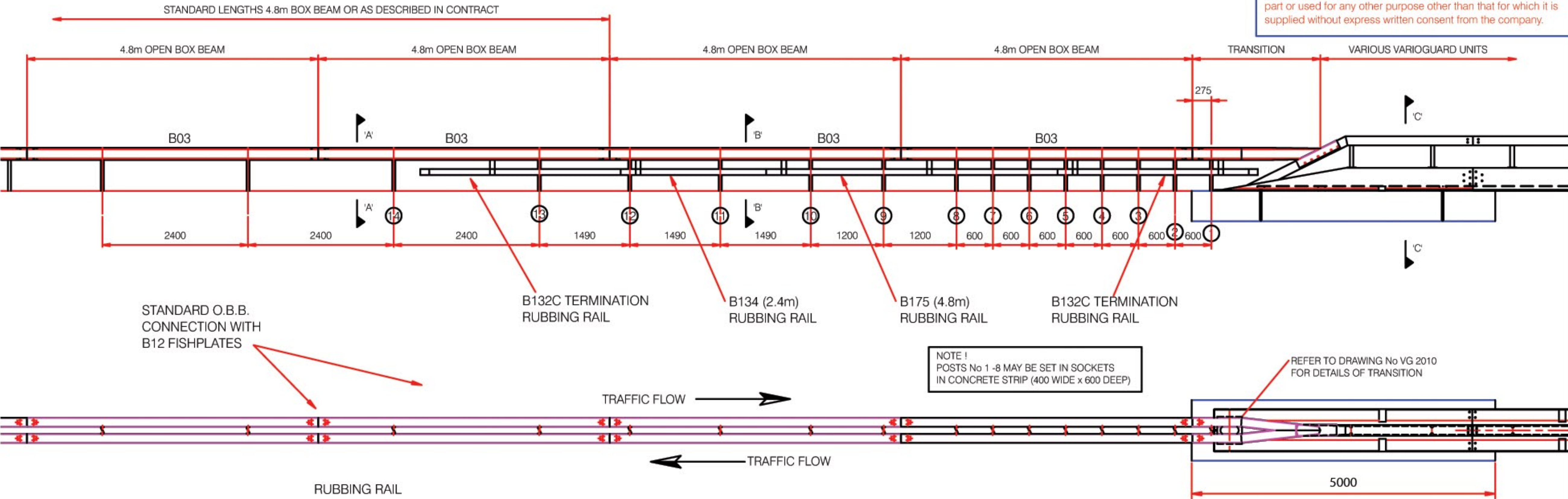


© Copyright.
 This drawing has copyright & may not be copied in whole or in part or used for any other purpose other than that for which it is supplied without express written consent from the company.



d	Reference Detail, Post Positions	1/05
Rev'	Remarks	E.C.O. Date
Drawn By	Date	Material
ATWright	Jan' 2005	
Scale	Finish	Weight

Description

Layout Details Showing Transition from Double Sided Open Box Beam to Varioguard

ASSET INTERNATIONAL Springvale Business & Industrial Park, Bilston, Wolverhampton. WV14 - 0QL.
 Tel: (01902) 499416 Fax: (01902) 402104
 E-mail: barrier@hill-smith.co.uk Website: www.hill-smith.co.uk

Drawing No. VG 2502 d