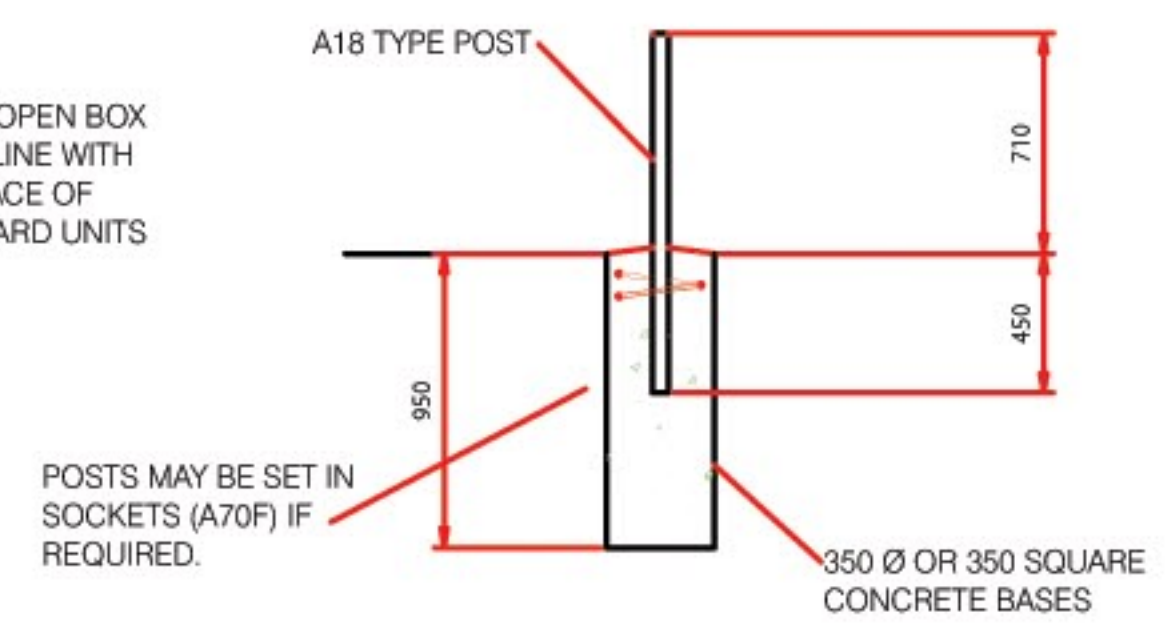
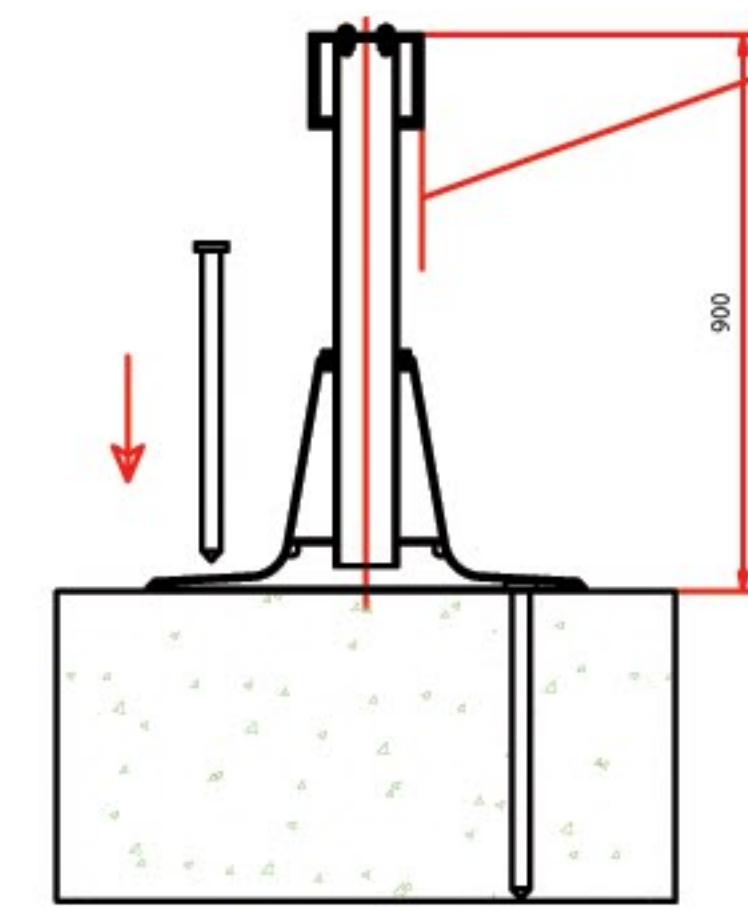
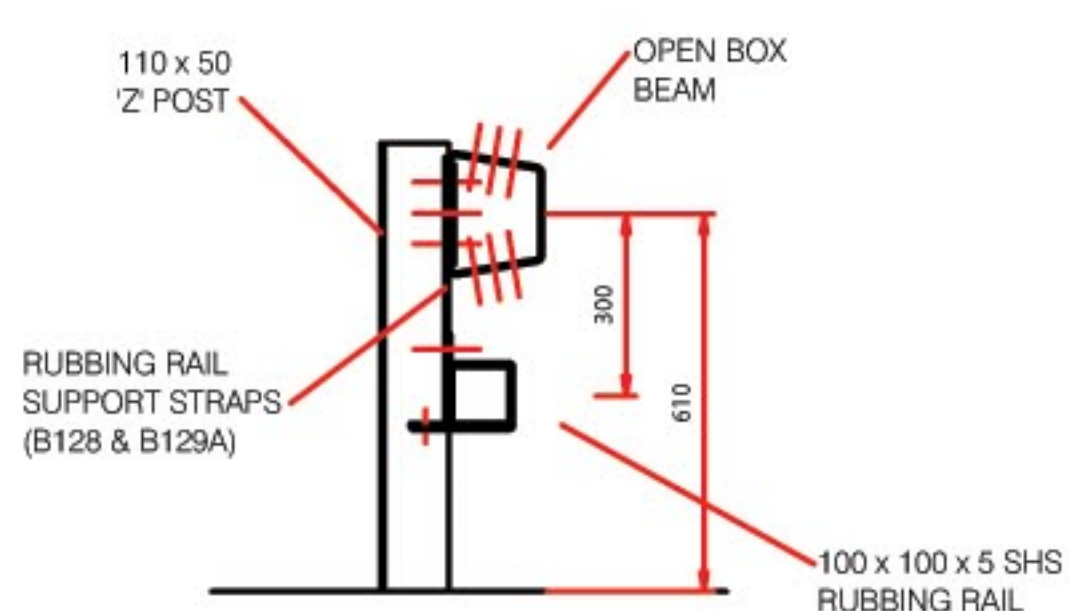
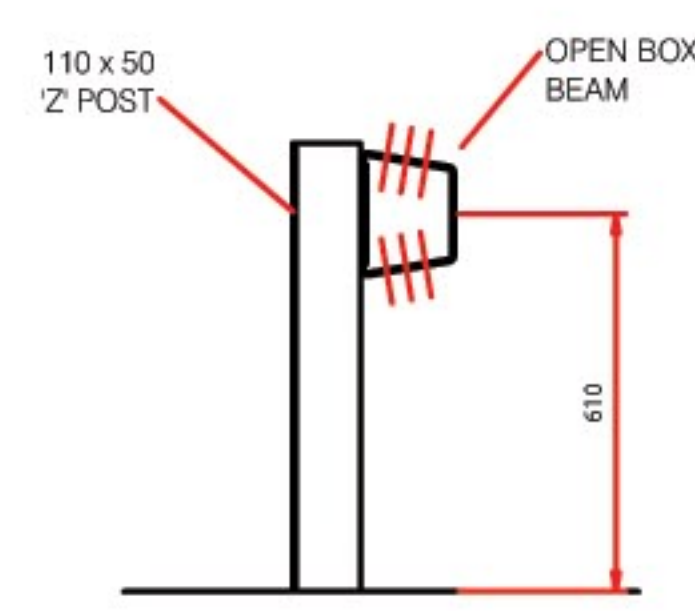


TRAFFIC FLOW



Rev	Remarks	E.C.O.	Date
C	Sigma Post Deleted, Foundation Added		11/04
B	Notes Added	114	10/02
A	Redrawn & New Drawing No. Added (Previous Drg No - GA002)	101	3/02

Drawn By	Date	Material
ATWright	MAR' 2002	
Scale	Finish	Weight
N.T.S.	HOT DIP GALV' BS.EN.ISO. 1461	

Description

Layout Details Showing Transition from Single Sided Open Box Beam to Varioguard (Verge Approach)

ASSET INTERNATIONAL
 Springvale Business & Industrial Park, Bilston, Wolverhampton. WV14 - 0QL.
 Tel: (01902) 499416 Fax: (01902) 402104
 E.mail:sales@varioguard.co.uk. Website: www.varioguard.co.uk

Drawing No. VG 2501 c